



☎ 414-778-5800

✉ sales@beyondvision.com

🌐 www.BeyondVision.com

5316 W. State Street
Milwaukee, WI 53208

We're in your corner!

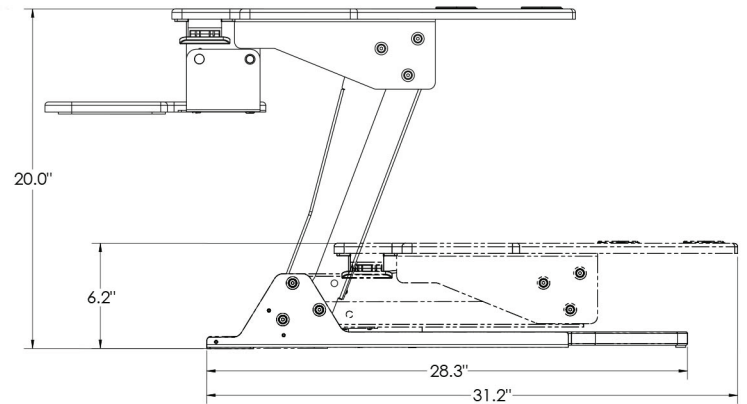
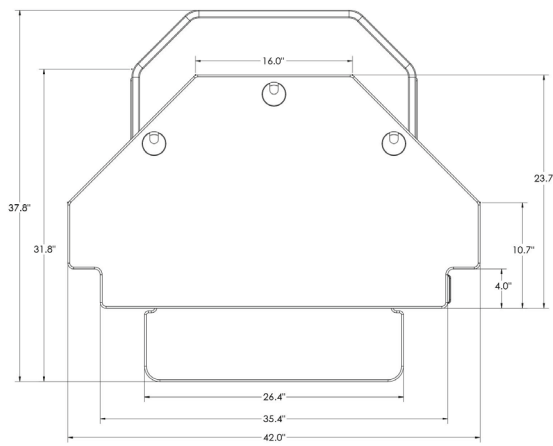


SKILCRAFT® Corner Desktop Sit-Stand Workstation 7045-00-NIB-0431

A pre-assembled, simple solution for customers looking for a desktop sit-stand workstation that fits neatly in a corner. Offering a combination of unlimited height settings and 20° of keyboard surface tilt, easily adjusts with one hand, users will find ergonomic comfort whether sitting or standing.

These quality SKILCRAFT® products are produced by Beyond Vision, Milwaukee, WI.
Purchase of these products fulfills the required source provision of the Javits-Wagner-O'Day Act and FAR 8.7.

Call Beyond Vision today to place your order.



SKILCRAFT® Corner Desktop Sit-Stand Workstation:

Fully Assembled	No tools required, simply place on desk
Weighs 42lbs.	Allows for easy installation and moving from desk-to-desk
Fits 90° Corner Desk	Maximize functionality of traditional workspace in the desk corner
Gas Assisted Height Adjustment	Smooth, quiet and infinite adjustment possibilities, extending up to 20" above desk surface
Keyboard Tilt	-10°/+10° of infinite ergonomic possibilities
Large Work Surface	Accommodates 2 x 24" monitors, laptop or laptop with monitor
Keyboard Surface	Superior ergonomics compared to single work surface units
Supports 35lbs.	Strong enough to support user's technology requirements
Organized	Three built in grommet holes for cable and cord management

Your customers want simple solutions.

The SKILCRAFT® Corner Desktop Sit-Stand Workstation is exactly that.



☎ 414-778-5800
 ✉ sales@beyondvision.com
 💻 www.BeyondVision.com
 5316 W. State Street
 Milwaukee, WI 53208

Questions? Contact us for more information.