

TIME TO TAKE A STAND

SKILCRAFT



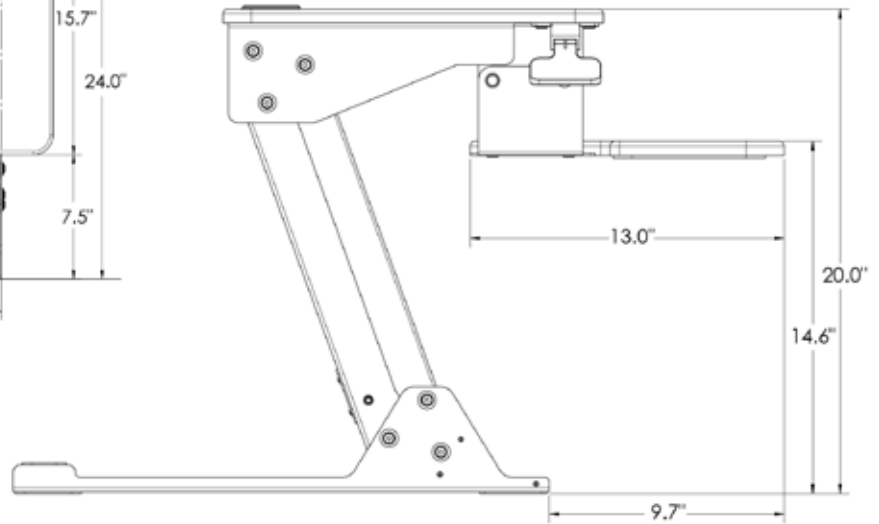
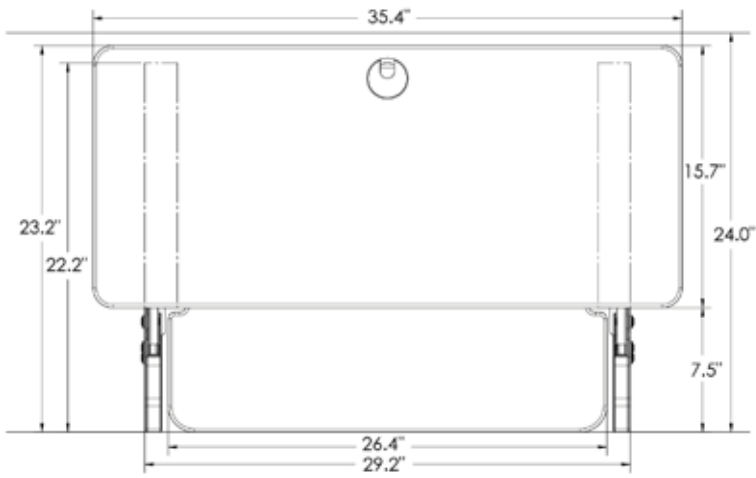
SKILCRAFT® Desktop Sit-Stand Workstation

NSN6810786

A pre-assembled, simple solution for customers looking for a desktop sit-stand workstation. Offering a combination of unlimited height settings and 20° of keyboard surface tilt, users will find ergonomic comfort whether sitting or standing.

These quality SKILCRAFT® products are produced by Beyond Vision, Milwaukee, WI.
Purchase of these products fulfills the required source provision of the Javits-Wagner-O'Day Act and FAR 8.7.

Call Beyond Vision today to place your order.



SKILCRAFT® Desktop Sit-Stand Workstation:

| | |
|---------------------------------------|---|
| Fully Assembled | No tools required, simply place on desk |
| Weighs 40lbs. | Allows for easy installation and moving from desk-to-desk |
| Compact Footprint | Easily fits onto a 24" deep desk |
| Gas Assisted Height Adjustment | Smooth, quiet and infinite adjustment possibilities, extending up to 20" above desk surface |
| Keyboard Tilt | -10°/+10° of infinite ergonomic possibilities |
| Large Work Surface | Accommodates 2 x 24" monitors, laptop or laptop with monitor |
| Keyboard Surface | Superior ergonomics compared to single work surface units |
| Supports 35lbs. | Strong enough to support user's technology requirements |
| Organized | Built in grommet hole for cable and cord management |

Your customers want simple solutions.

The SKILCRAFT® Desktop Sit-Stand Workstation is exactly that.



☎ 414-778-5800
 ✉ sales@beyondvision.com
 🌐 www.BeyondVision.com
 5316 W. State Street
 Milwaukee, WI 53208

Questions? Contact us for more information.