

TIME TO TAKE A STAND

 **SKILCRAFT**



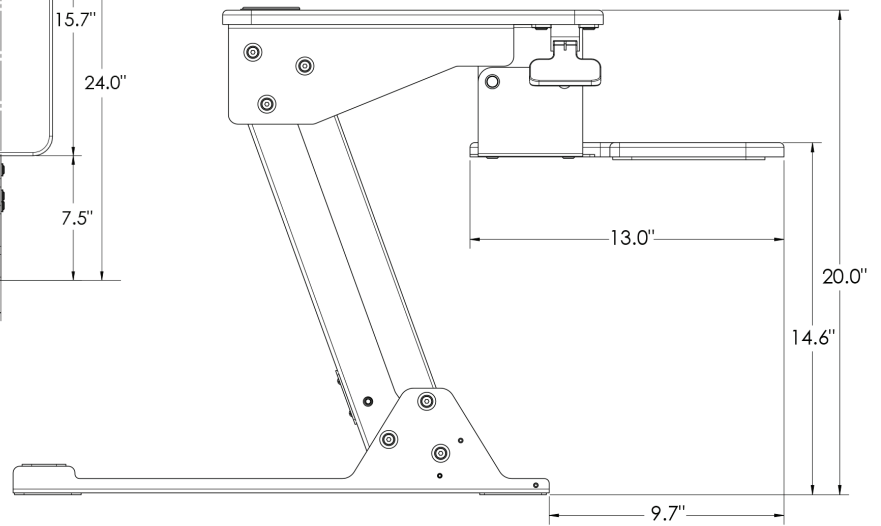
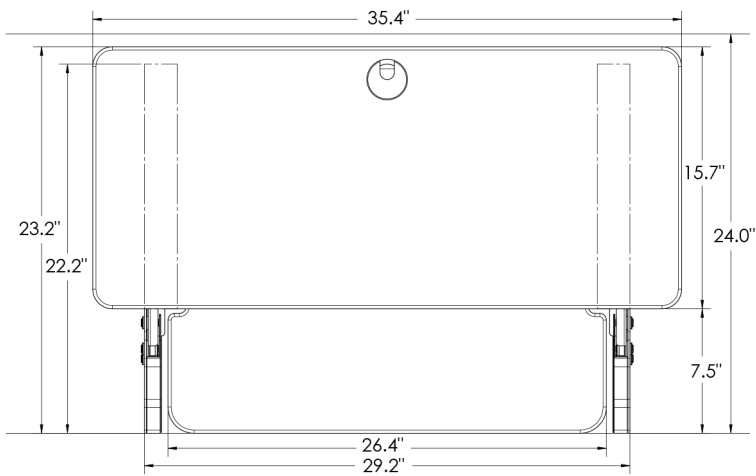
SKILCRAFT® Desktop Sit-Stand Workstation

NSN 7110-00-NIB-2413

A pre-assembled, simple solution for customers looking for a desktop sit-stand workstation. Offering a combination of unlimited height settings and 20° of keyboard surface tilt, users will find ergonomic comfort whether sitting or standing.

These quality SKILCRAFT® products are produced by Beyond Vision, Milwaukee, WI.
Purchase of these products fulfills the required source provision of the Javits-Wagner-O'Day Act and FAR 8.7.

Call Beyond Vision today to place your order.



SKILCRAFT® Desktop Sit-Stand Workstation:

Fully Assembled	No tools required, simply place on desk
Weighs 40lbs.	Allows for easy installation and moving from desk-to-desk
Compact Footprint	Easily fits onto a 24" deep desk
Gas Assisted Height Adjustment	Smooth, quiet and infinite adjustment possibilities, extending up to 20" above desk surface
Keyboard Tilt	-10°/+10° of infinite ergonomic possibilities
Large Work Surface	Accommodates 2 x 24" monitors, laptop or laptop with monitor
Keyboard Surface	Superior ergonomics compared to single work surface units
Supports 35lbs.	Strong enough to support user's technology requirements
Organized	Built in grommet hole for cable and cord management

Your customers want simple solutions.

The SKILCRAFT® Desktop Sit-Stand Workstation is exactly that.



☎ 414-778-5800
 ✉ sales@beyondvision.com
 🌐 www.BeyondVision.com
 5316 W. State Street
 Milwaukee, WI 53208

Questions? Contact us for more information.